



BREWART

QUICKSTART

STEP BY STEP GUIDE

This manual covers the basic setup and operation of your BeerDroid.

BEERDROID
FULLY AUTOMATED
BREWING SYSTEM



Hints and Tips

BREWART.COM/101 has comprehensive how-to videos, FAQs, tips and downloads.

Welcome to the art of brewing!

Congratulations on the purchase of your BrewArt BeerDroid.

To ensure a safe, successful and rewarding experience... please read these instructions fully prior to use, and if you have any queries, do not hesitate to contact Customer Service.

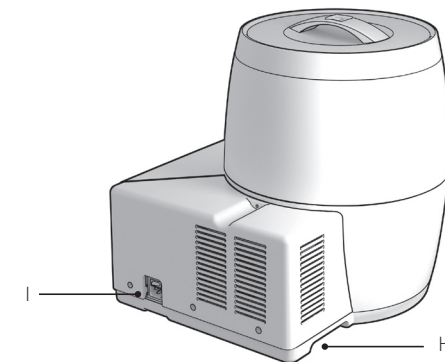
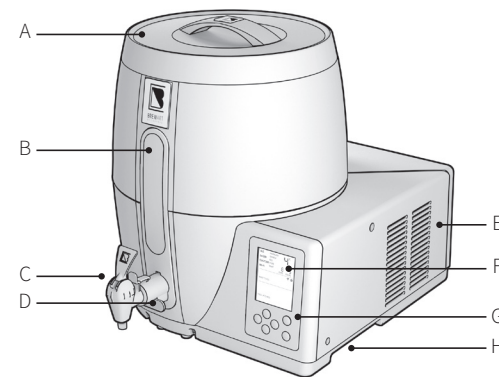
For comprehensive how-to video instructions go to BREWART.COM/101.

Safety

To prevent injury:

- Read all instructions before use.
 - Always keep the unit upright.
 - Remove packaging and safely discard packing material.
 - Do not lift the unit by the handle on the lid.
 - When not in use, keep machine turned off at the power point.
 - Keep all vents clear.
 - Do not disassemble the unit for any reason.
 - Do not use any other accessories other than those provided with your BrewArt BeerDroid or available from BrewArt.
 - Do not use this BeerDroid for anything other than what it has been designed for.
 - Keep the unit away from children and pets.
- Lift and transport the unit with care. Never lift, move or transport unless empty. Always use safe lifting techniques. Do not store explosive substances such as aerosol cans with a flammable propellant in your BeerDroid.
 - If the power cord is damaged, it must be replaced by the manufacturer, its service agent or similarly qualified persons in order to avoid a hazard.
 - The BeerDroid is intended for household and domestic use only.
 - The BeerDroid is not intended for use by persons with reduced physical, sensory or mental capabilities, or lack of experience and knowledge, unless they are supervised or given instruction concerning the use of the BeerDroid by a person responsible for their safety.
 - Only use a soft damp cloth to wipe down external surfaces. Do not use solvents or harsh chemicals. A mild detergent may be used.
 - Failure to keep your BeerDroid upright may result in damage to its compressor cooling system.

Getting to know your BeerDroid



- A. Quick lock lid:** Lid that locks into position. Keeps your brew contaminant free whilst still allowing CO₂ to vent.
- B. Viewing window:** LED light to check brew during fermentation.
- C. Tap:** Two piece snap tap that pulls apart for easy cleaning.
- D. Drain plug:** Allows residual fluid to drain away for easier cleaning.
- E. Vents:** For cooling the compressor. Keep clear.
- F. LCD screen:** Displays menu, status and brewing notifications.
- G. Control panel:** To control the BeerDroid.
- H. Carry handles:** For lifting the unit. **DO NOT lift using the handle on the lid.**
- I. Power cord connection & ON/OFF switch.**

BrewArt BeerDroid and BrewFlo come with a **12 month Limited Replacement Warranty**. To view full Terms and Conditions of Sale, including Limited Replacement Warranty details and to record your warranty online go to brewart.com/register

WARNING: Keep your BeerDroid upright in a cool, dry position out of direct sunlight and other heat sources. Designed for household use only.

WARNING

The wires, electronic components and refrigerant in this product contain chemicals known to the State of California to cause cancer and birth defects or other reproductive harm. Wash hands after handling.

Your BrewArt BeerDroid has been designed and manufactured to the highest safety specifications and all relevant USA Standards (UL 250 Issued: 1993/11/01 Ed: 10 rev: 2013/02/22, CSA C22.2 No. 63 Issued: 1993/11/01 (R2013) Gen. Inst. 1 (1993) - 6 (2012), and (FCC) CFR47 Telecommunications, Part 15 Subpart C "Intentional Radiators" modular approval in accordance with Part 15.212 Modular Transmitter approval).

WARNING: Keep plastic bag out of reach of children.

1 Unboxing

Place your BeerDroid box on the floor and open the top of the box.

Remove the foam, keeping other items as you will need these later.

Using safe lifting techniques, lift the BeerDroid out of the box, by gripping the sturdy plastic bag with both hands.

IMPORTANT

NEVER lift the unit by the lid handle.



IMPORTANT

DO NOT tilt or lay BeerDroid on its back or side as this can cause damage to the compressor.

2 Preparation

When removing the BeerDroid after unpacking, use the Carry Handles – see H in Getting to know your BeerDroid.

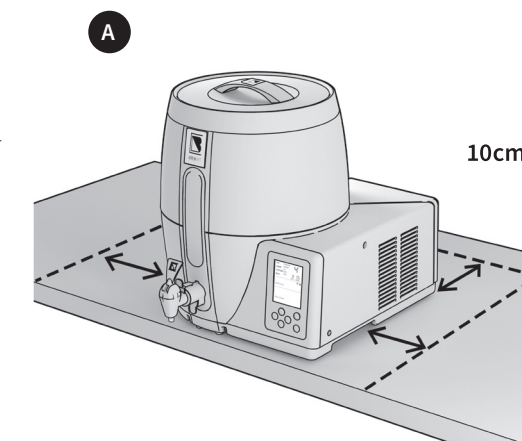
Place the unit on a clean, flat surface in a dry, cool place away from direct sunlight or other heat and where it won't be bumped or affected by vibrations.

Ensure you can access the tap without having to move the unit when it's time to keg the beer (e.g. position it at the edge of a bench) – see Diagram A.

Ensure all vents are free of obstructions and the unit is at least 10cm away from walls and other objects – see Diagram A.

Connect to power. Turn power switch at rear of BeerDroid to ON.

The LCD display screen will light up, with the ALE program flashing – see F in Getting to know your BeerDroid.



3 Assembly

- Check the drain plug is firmly in place by pushing it all the way in.
- Insert the BeerDroid two-piece snap tap and push the tap in until the rear latch clicks into place.

continues overleaf

4 Getting Started

Wi-Fi

For added features we recommend you connect your BeerDroid to Wi-Fi. You do not need to connect the BeerDroid to Wi-Fi for operation but doing so enables you to take advantage of additional features.

Connecting your BeerDroid to Wi-Fi with the BrewArt App

Visit the Apple iTunes store or the Google Play store and download the BrewArt App from the app section. The BrewArt App will guide you to create a BrewArt Account, connect your BeerDroid for Wi-Fi and link your BrewArt Account to your BeerDroid.

Part 1

Turn on your BeerDroid (see Preparation)

Part 2

On your Device

- Using the App's menu, navigate to **MY BEERDROID**
- Select button – **SETUP BEERDROID FOR WI-FI**
- Follow **SETTING UP YOUR BEERDROID** instructions


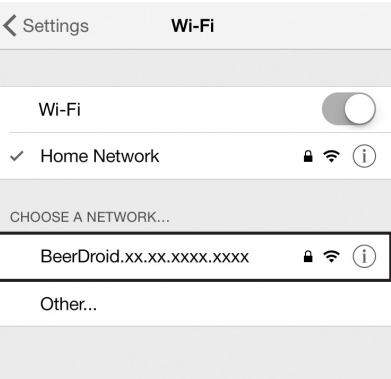
Part 3

On your BeerDroid

- On your BeerDroid, navigate to Wi-Fi, Manual Setup.
 - Use the and arrows on the control panel to scroll to Wi-Fi in the main menu.
 - PRESS TO CONFIGURE** will appear on the user prompt panel.
 - Press on the control panel to enter the Wi-Fi configuration menu
 - Use the and arrows to scroll through to manual setup.
 - Press on the control panel to start setup.
 - Wait for the icon to start flashing then proceed to **Part 4**.

Part 4

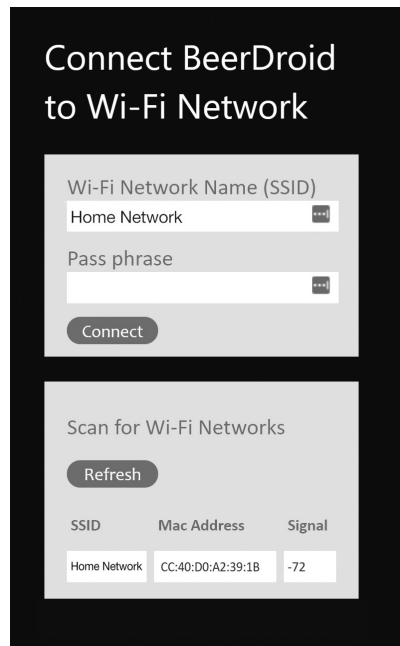
On your Device

- Minimize the BrewArt App on your device.
- Open the Settings on your device and select Wi-Fi.
Settings
- Choose the network **BeerDroid.xx.xx.xxxx.xxxx** (The password to connect to your BeerDroid is the last 8 digits of its serial number including the hyphen, e.g. "0001-1234")

h. Return to Brewart App. And click the Next button.

i. Press the Refresh button in the Scan for Wi-Fi Networks section at the bottom of the page.

j. Select your **HOME NETWORK** from the list.



k. Enter the Pass phrase to your **HOME NETWORK** and press the Connect button

l. Complete the Setup by giving your BeerDroid a name, then select **LINK**.

m. Setup is now complete.

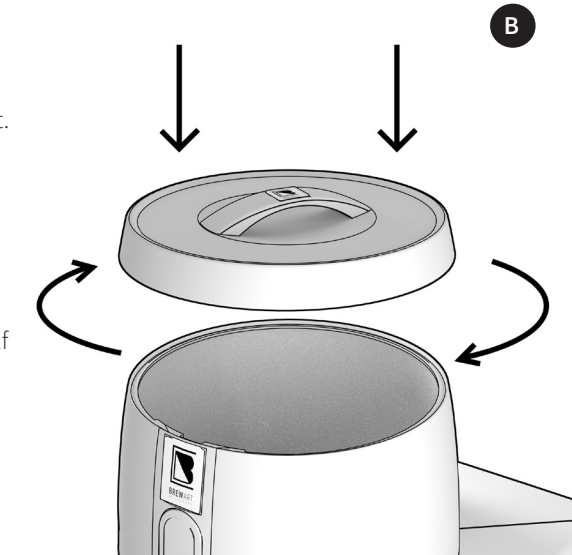
- For other methods to connect your BeerDroid to Wi-Fi go to **BREWART.COM/101**

WARNING

During operation do not move the BrewArt BeerDroid and ensure the unit is not bumped or affected by vibration or heat sources.

5 Before you Brew – Prepare & Sanitize

- Position near a sink or somewhere you can drain the contents of your BeerDroid.
- Fill your BeerDroid with warm water to within 5mm of the brim.
- Add BrewArt DroidCleanse tablet.
- Fasten the lid into the lock position – **see Diagram B**
- Leave for one hour.
- To sanitize the internals of the tap, open the tap and release half a cup of liquid through the tap.
- Leave for a further hour.
- Drain the solution through the tap until no more solution flows out.
- Remove drain plug and allow the remaining solution to flow out.
- Lightly rinse with clean water.
- Replace lid if not brewing immediately.



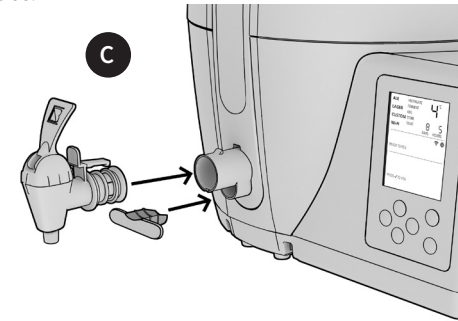
Note

Your BeerDroid should be sanitized no more than 24 hours prior to brewing. For more information on sanitising go to **BREWART.COM/101**

NOW ON TO THE REWARDING PART...

6 Starting Your Brew

- Ensure the tap and drain plug are both firmly in place.
- Fill BeerDroid to 10L mark with cool (less than 25° C/77° F) drinkable water, unless otherwise directed by the BrewPrint.
- Sprinkle yeast over the top of the water.
- Slowly add all Elements and Enhancers (DO NOT add Hops or Primer). DO NOT stir.
- Immediately fit the lid.



Option A with BrewArt App

- To start a brew using the BrewArt App, go to **BREW STATUS** and **SELECT A BREW**.
- Select **GO TO SHELF**
- If you have purchased a BrewPrint from a retailer you will need to add it to your shelf. To add a BrewPrint to shelf, select the icon and choose the relevant BrewPrint.
- Select the BrewPrint
- Select **START BREW** which will display brewing profile
- Select **BREW NOW**

Option A with the BeerDroid Screen

- Check the Brewing Program for your BrewPrint at **BREWART.COM**
- Using the and arrows on the front panel navigate to **ALE, LAGER** or **CUSTOM**
- To start the selected program, press the .
- If starting a **CUSTOM** program, follow the prompts to set the temperature zones.

CONGRATULATIONS! YOU HAVE JUST STARTED YOUR FIRST BREW.

Note

To prevent spoilage, do not open the lid until brew is complete.

Customer Service

Phone: 1-855 522 2337 Email: customersupport@brewart.com
To discover the full BrewArt experience head to **WWW.BREWART.COM**